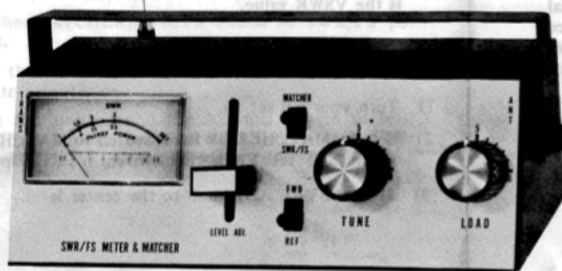


SWR/FS METER & ANTENNA MATCHER



MODEL ROS-9

INSTRUCTION MANUAL

MODEL ROS-9

SWR/FS METER AND ANTENNA MATCHER

INSTALLATION

The SWR/FS Meter and Antenna Matcher combination is easy to install and use. Only two connections are required:

- 1) Remove the CB antenna cable from your CB set.
- 2) Connect it to the unit's CB antenna connector marked "ANT" on front.
- 3) Connect two or three foot (or even shorter) coaxial cable from the CB set's antenna connector (the place from where you have just removed the antenna cable) to the unit's connector marked "TRANS" on front.
- 4) Install the unit under the dashboard in a convenient location by using the sheet metal (bracket) and machine screws. Tilt it to a desired angle by securely tightening the thumb nuts.

OPERATION

SWR MEASUREMENT

- 1) Set the MATCHER/SWR/FS switch to the SWR/FS position, and set the FWD/REF switch to the FWD position.
- 2) Turn your CB set on and transmit a signal tentatively, by pushing the microphone switch on. Meter pointer on the unit will swing.
- 3) Set the meter pointer to the SET position on the SWR scale (for full meter swing) by adjusting the LEVEL ADJ slide control.
- 4) Set the FWD/REF switch to the REF position, then meter pointer indicates a figure on SWR scale, which is the VSWR value.

ANTENNA MATCHING

- 1) Turn your CB set on.
- 2) Set the MATCHER/SWR/FS switch to MATCHER position and set FWD/REF switch to REF position.
- 3) Move LEVEL ADJ knob to the center level.

- 4) Turn both LOAD and TUNE controls fully counter-clockwise.
- 5) Tune your CB set to the center channel. (channel No. 12 - for 23-ch, channel No. 20 - for 40-ch.)
- 6) Referring to a swing of the pointer on SWR meter, adjust LOAD control for maximum transmitting signal (lowest SWR reading), then adjust TUNE control in same manner.
Repeat back and forth between LOAD and TUNE controls until no further improvement can be obtained, which is easily referred to the swing on SWR meter.

FIELD STRENGTH MEASUREMENT

1. Mount the bar antenna into the antenna terminal of the unit.
2. Set the MATCHER/SWR/FS switch to SWR/FS position.
3. Place the unit near the antenna system of the CB set with transmitter on.
4. Move the unit around the Antenna system to read best Field Strength value on the FS meter scale. (The more value is, the better FS is.)

SPECIFICATION

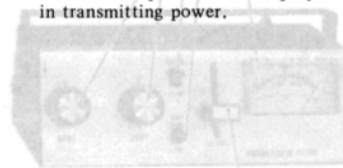
A. SWR/FS METER

Meter Sensitivity	:	100 μ A on DC Current
VSWR meter range	:	1 : 1 to 1 : 3
Impedance	:	52 ohms
Freq. range	:	1.5MHz - 144MHz
Accuracy	:	\pm 5%

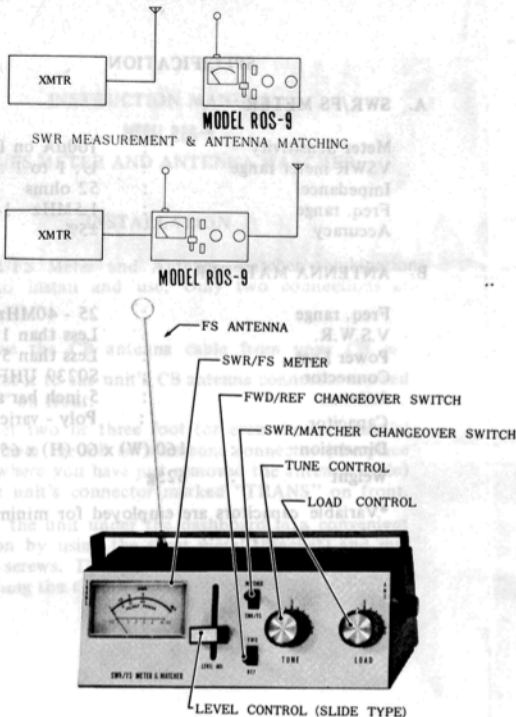
B. ANTENNA MATCHER

Freq. range	:	25 - 40MHz
V.S.W.R.	:	Less than 1.05
Power Loss	:	Less than 5%
Connector	:	S0239 UHF type
Antenna	:	5 inch bar antenna
Capacitor	:	Poly - varicon
Dimension	:	160 (W) x 60 (H) x 65 (D) m/m
Weight	:	625g

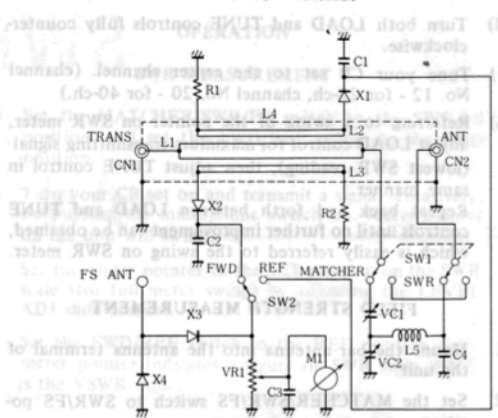
*Variable capacitors are employed for minimum loss in transmitting power.



FIELD STRENGTH MEASUREMENT



CIRCUIT DIAGRAM



Printed in Japan